



## JEPCO SALES

271 HAFNER ROAD  
ROYERSFORD, PA 19468

TEL. (610) 948-7867

FAX (610) 948-6757

E-MAIL ed@jepcosales.com

### BOX CULVERT BOLT POCKETS

Accepts up to 1" rod ( $\frac{3}{4}$ " Typical)

#### CAVITY DIMENSIONS

$2\frac{3}{8}$ " x  $3\frac{5}{8}$ " x  $2\frac{3}{4}$ " Deep

Molded of non corroding glass reinforced polyolefin plastic.

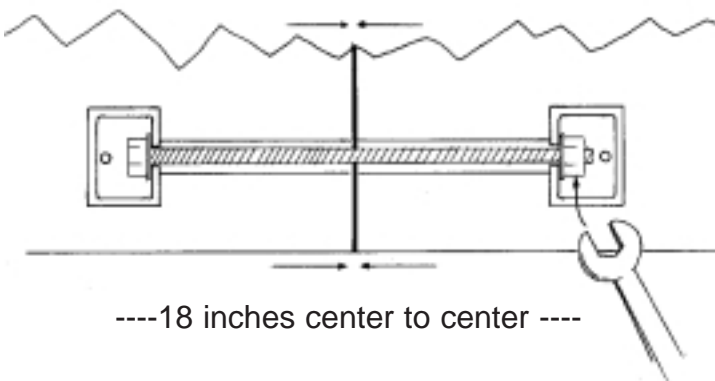
**\$12.00 Packed 60 per box**



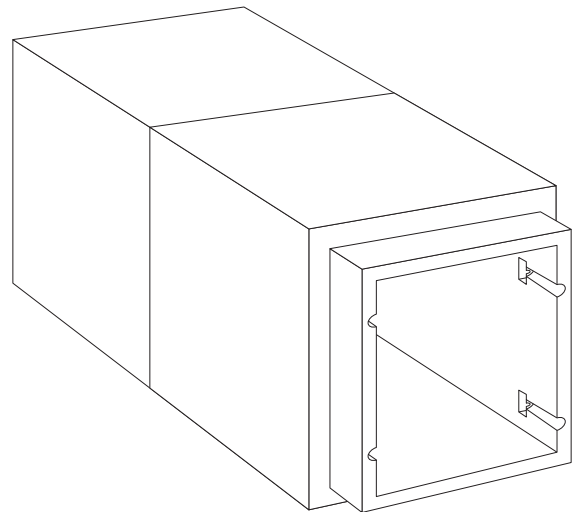
### LOCATORS \$35.00 each Re-usable

Locators are bolted to the form to create a groove through the joint.

Two bolts are required: for mounting: one through the form, the locator, and the pocket. The other one through the form to an insert in the locator.



----18 inches center to center ----



**Option:** Locate the pockets on the floor (Inside) and the roof (Outside) for easy access