



JEPCO SALES

271 HAFNER ROAD
ROYERSFORD, PA 19468

TEL. (610) 948-7867

FAX (610) 948-6757

E-MAIL ed@jepcosales.com

BOX CULVERT BOLT POCKETS

Accepts up to 1" rod ($\frac{3}{4}$ " Typical)

CAVITY DIMENSIONS

$2\frac{3}{8}$ " x $3\frac{5}{8}$ " x $2\frac{3}{4}$ " Deep

Molded of non corroding glass reinforced polyolefin plastic.

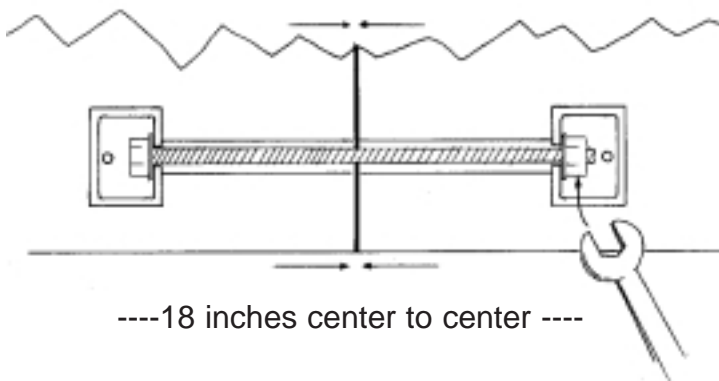
\$8.50 each Packed 60 per box



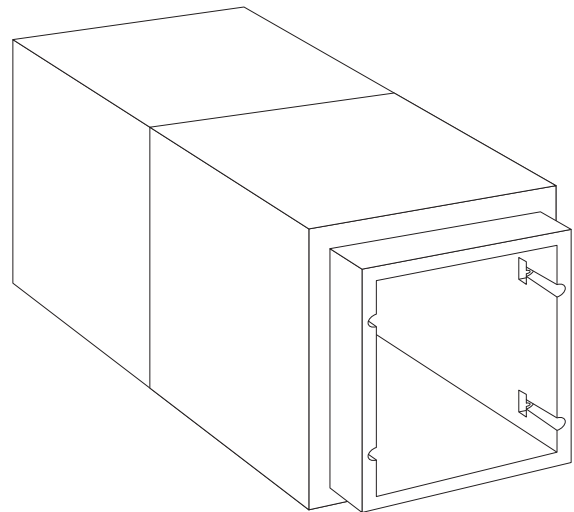
LOCATORS \$25.00 each Re-usable

Locators are bolted to the form to create a groove through the joint.

Two bolts are required:for mounting: one through the form, the locator, and the pocket. The other one through the form to an insert in the locator.



----18 inches center to center ----



Option: Locate the pockets on the floor (Inside) and the roof (Outside) for easy access